



MiniC
Mini Line Array

Column Line Array Sys

Line array SPL and clarity — in a compact, lightweight column.

MiniC designed for live performance.

Built for easy transport and setup.

Column shell. Line array heart.

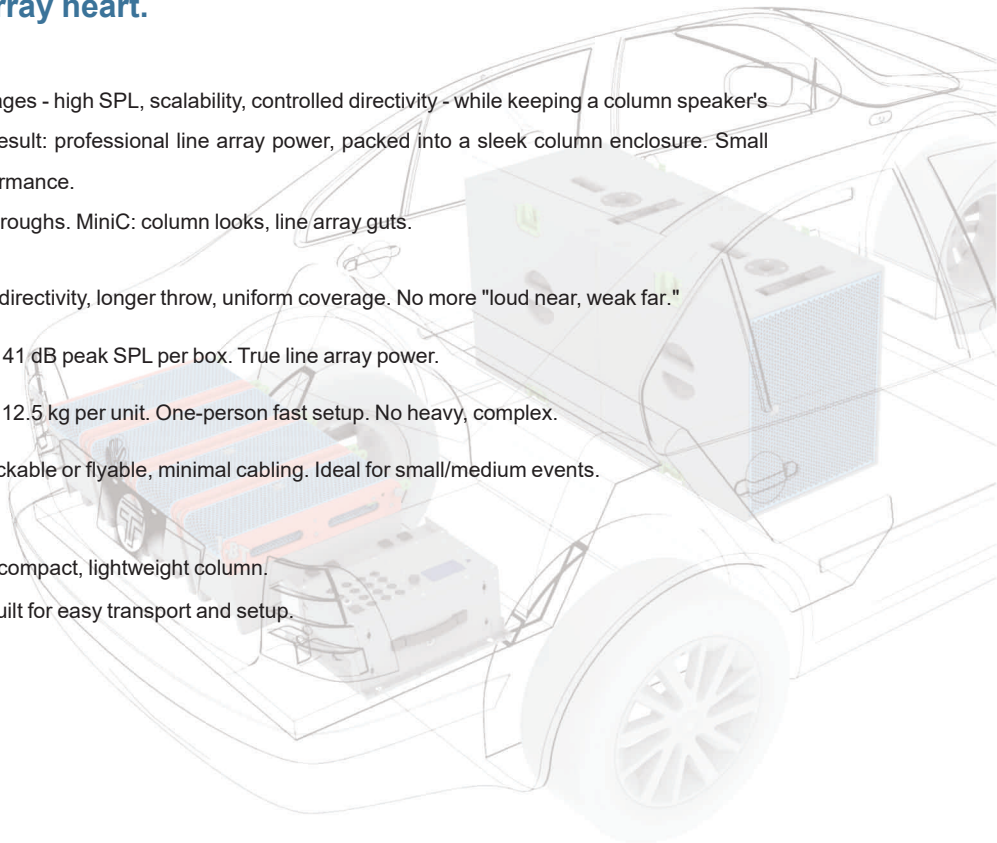
MiniC captures line array advantages - high SPL, scalability, controlled directivity - while keeping a column speaker's compact, lightweight form. The result: professional line array power, packed into a sleek column enclosure. Small size. Light weight. Powerful performance.

Rigorous R&D. Technical breakthroughs. MiniC: column looks, line array guts.

- Patented waveguide — precise directivity, longer throw, uniform coverage. No more "loud near, weak far."
- Three 5-inch coaxial drivers — 141 dB peak SPL per box. True line array power.
- 9 mm PE + aluminum rigging — 12.5 kg per unit. One-person fast setup. No heavy, complex.
- 15" sub + 4 CH DSP amp — stackable or flyable, minimal cabling. Ideal for small/medium events.

Line array SPL and clarity — in a compact, lightweight column.

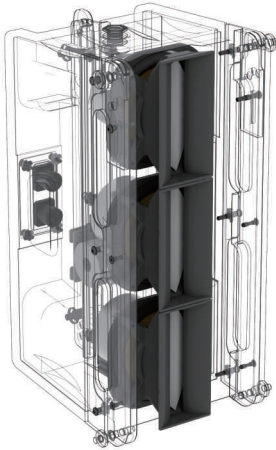
Designed for live performance. Built for easy transport and setup.



MiniC

Key Features

- Ultra-lightweight, single-person assembly & transport
- Patented horn & waveguide
- Line array coaxial column speaker
- Long throw, up to 141dB SPL



High SPL

We have designed a completely new horn and high-frequency waveguide. Featuring three 5" resin cone woofers with 44mm compression drivers in a coaxial neodymium magnet configuration, and utilizing dual spider suspension and dual magnet structure, the system achieves high power output, ultimately reaching a peak SPL of 141dB.

Lightweight

To achieve ultimate lightweight design, the MiniC enclosure is made of 9mm PE enclosure and aviation-grade aluminum rigging deliver professional strength and corrosion resistance at minimal weight. Paired with three neodymium coaxial drivers, the total is only 12.5 kg per unit — enabling true one-person assembly, transport, and handling. Traditional line array bulk and complexity eliminated.



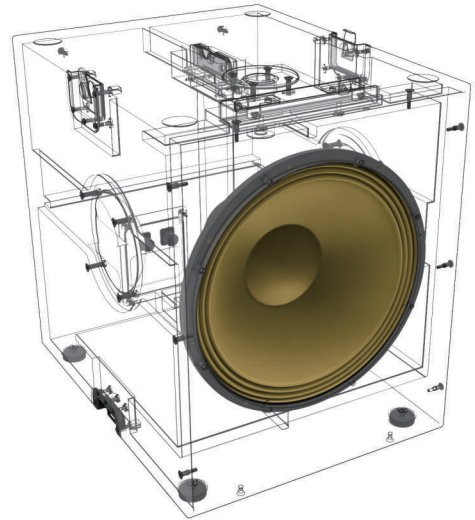
MiniC-Sub

Key Features

- 15" subwoofer with 100mm voice coil delivers 1000W ultra-high power
- 20mm ultra-long linear excursion for greater dynamics
- Peak SPL output up to 135dB

Clever Design

Utilizing an efficient direct-radiating enclosure design, we have developed a 15" driver featuring a 100mm voice coil and 20mm excursion to achieve high output from a compact footprint. Its energy output is comparable to that of an 18" subwoofer on the market.



MiniC-Amp

Key Features

- High integration 4 in 4 out DSP amplifier
- Portable design, compact footprint
- PC control and 4" color touchscreen

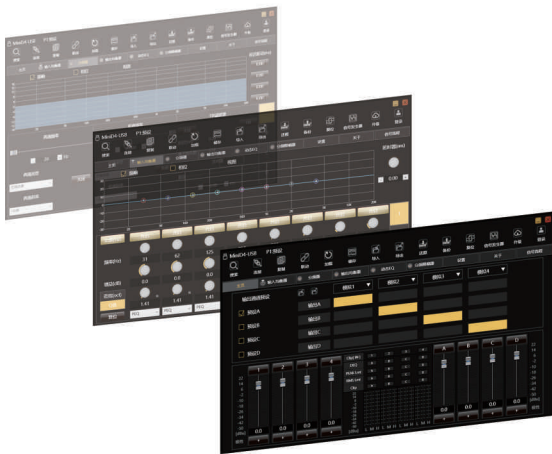


4 Channel DSP Amplifier

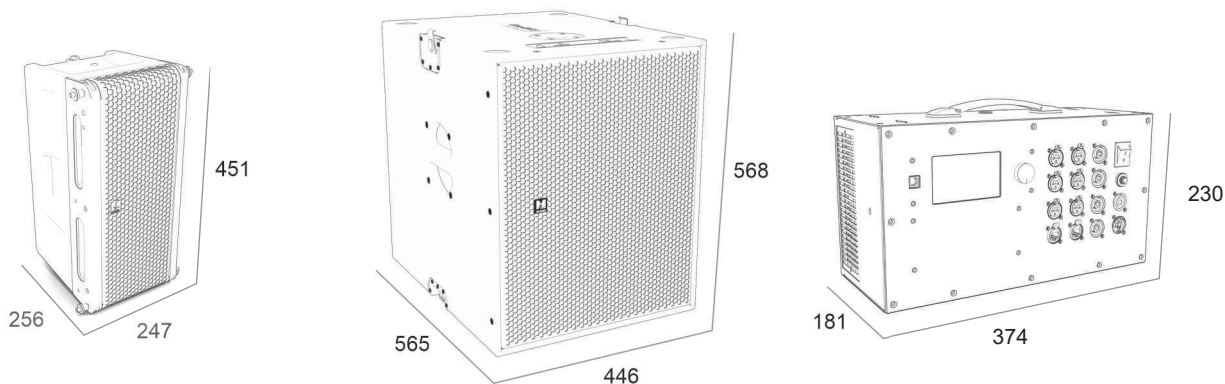
The MiniC-AMP is a 4 channel high-power amplifier with 4 in 4 out DSP, delivering 4x1800W @ 4Ω output. Equipped with a high-performance DSP and a maximum input level of 23 dBu, it achieves high dynamic range without distortion. Each channel features 18-band EQ, 3-band dynamic EQ, FIR filters, crossover limiters etc.

Easy Operation

The MiniC-AMP features a portable design with a compact, portable chassis. Compatible with lighting hooks for flying or truss mounting. It is equipped with a 4" color touchscreen for preset recall and store, signal routing, IP management, and full input control available on the display, including EQ, delay, polarity, and level adjustments. PC connection via USB or Ethernet - no driver needed. Plug and play.



Parameter



SPECIFICATIONS

MiniC

MiniC-Sub

| | | |
|-------------------------|--|---|
| Frequency Range (-10dB) | 130Hz-17kHz | 30-150Hz |
| Maximum SPL | 141dB SPLpeak | 135dB SPLpeak |
| Coverage | Horizontal (H): 100° / Vertical (V): 0–10° adjustable | Horizontal (H): 360° / Vertical (V): 180° |
| Transducers | 3 × 5" resin cone woofer + 44mm compression driver,coaxial neodymium | 1 × 15" paper cone woofer with 100mm voice coil |
| Nominal Impedance | Hi 8Ω Lo 8Ω | 4Ω |
| Power (AES) | Hi 180W Lo 300W | 1000W |
| Cabinet | 9mmPE | Baltic birch plywood enclosure |
| Dimensions (W×H×D) | 247×451×256mm 9.7×17.7×10 in | 446×568×565mm 17.6×22.3×22.44 in |
| Weight | 12.5kg / 27.5lbs | 29.9kg / 66lbs |

SPECIFICATIONS

MiniC-Amp

| | | |
|------------------|---------------------------------|---|
| Amplifier Module | Number of Channels | 4 Channel |
| | Output Power | 4×1000W@8Ω / 4×1800W@4Ω |
| | Frequency Response | 20Hz-35kHz±1dB |
| | SNR 20Hz–20kHz, A-weighted @ 8Ω | Typical > 110dB |
| DSP Module | THD+N (1W, 1KHz) | < 0.003% |
| | Sampling Rate / Resolution | 96kHz/24Bit |
| | Filter Type | HPF / LPF / 10-band PEQ / 512-taps FIR filter / 3-band Dynamic EQ / Crossover limiter |
| | Control Interface | Port: Ethernet/USB; Software: PC; Local Interface: 4" touchscreen |
| | Rated Voltage | 100-240VAC 50-60Hz |
| | Dimensions (W × H × D) | 374×230×181mm 14.7×9×7.1in |
| | Weight | 8.6kg / 19lbs |



SYSTEM LIST 2.2

| | |
|---------------------------|----|
| MiniC | ×2 |
| MiniC-Sub | ×2 |
| MiniC-Amp | ×1 |
| 1M Speaker Cable | ×1 |
| MiniC Transport Cover | ×1 |
| 12M Speaker Cable | ×1 |
| 3M Crosswire | ×2 |
| Hand Crank Stand | ×2 |
| MiniC-Sub Transport Cover | ×1 |
| Transport Dolly | ×1 |

SYSTEM LIST 4.4

| | |
|---------------------------|----|
| MiniC | ×4 |
| MiniC-Sub | ×4 |
| MiniC-Amp | ×2 |
| 1M Speaker Cable | ×2 |
| MiniC Transport Cover | ×2 |
| 12M Speaker Cable | ×2 |
| 3M Crosswire | ×4 |
| Hand Crank Stand | ×4 |
| MiniC-Sub Transport Cover | ×2 |
| Transport Dolly | ×2 |

OPTIONAL

| |
|-----------------------|
| MiniC-TG Flying Frame |
| MiniRay-RBS |
| MiniRay-RB |
| Amp Rain Cover |
| Flying Tent |
| MiniRay-TM |



Accessories

MINIC FLYING FRAME KIT - OPTIONAL



FLYING STRUCTIONS

Require MiniRay-RBS+ MiniC-TG



Flyable 4-24 pcs MiniC



Require MiniRay-RB+ MiniC-TG



Flyable 4-8 pcs MiniC



Require MiniRay-TM+ MiniC-TG



Flyable 4-6 pcs MiniC



ACCESSORRIES DETAILS

| Model | Material | Surface Finish | Dimensions | Weight |
|-------------|----------|----------------------------------|--------------|--------|
| MiniRay-RBS | Aluminum | E-coating + powder coating | 825*71*205mm | 7kg |
| MiniRay-RB | | | 480*10*135mm | 0.8kg |
| MiniRay-TM | | | 170*90*250mm | 1.2kg |
| MiniC-TG | | | 245*68*330mm | 2.2kg |

MiniC Transport Kits



MiniC Transport Box



MiniC-Sub Transport Cover



MiniC Transport Kits

ACCESSORRIES DETAILS

| Model | Material | Dimensions | Weight |
|---------------------------|---------------------------|----------------|--------|
| MiniC-Sub Transport Cover | Abrasion-resistant canvas | 550*1120*560mm | 3.2kg |
| MiniC Transport Box | Abrasion-resistant canvas | 500*280*625mm | 4.2kg |

MiniC
Mini Line Array

small footprint
SONIC IMPACT



MZ AUDIO

www.mzaudio.net

MZ audio technology development Co.,Ltd.

V1.0